



Front Grille & Tailgate Panel Installation Instructions

Covers Parts #8116, 8117

Tools needed:

- Tapered body reamer (part #3433 or #3433X, sold separately)
- Hobby knife
- 1.5mm hex wrench

Optional:

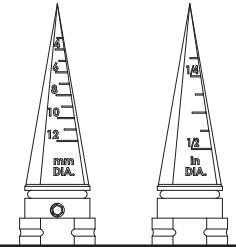
- Small file
- Rotary tool (such as Dremel®)



CAUTION: RISK OF INJURY!

Always wear eye protection when using motorized tools. Use care with hobby knives, tapered reamers, and other cutting tools as they are extremely sharp and can cause severe injury, deep cuts, and/or punctures.

Tapered Body Reamer Diameter Measurements



Installation

1. Install the included templates on the truck body. Align the arrows with the body lines on the front grille and the tailgate as shown in Fig. A and B.
2. Using a tapered body reamer, carefully cut the holes in the truck body for the screw bosses on the front grille retainer and the tailgate panel (*note the hole diameters indicated on the templates and the corresponding diameter measurements on the body reamer*).
3. Using a hobby knife, carefully cut out the holes in the truck body for the headlight housing and the tail light lens.*
4. Install the front grille, headlight housing and lens, tailgate panel, and tail light lens on the truck body using the included 2.5x8mm BCS (12) (*see Assembly Diagram*).

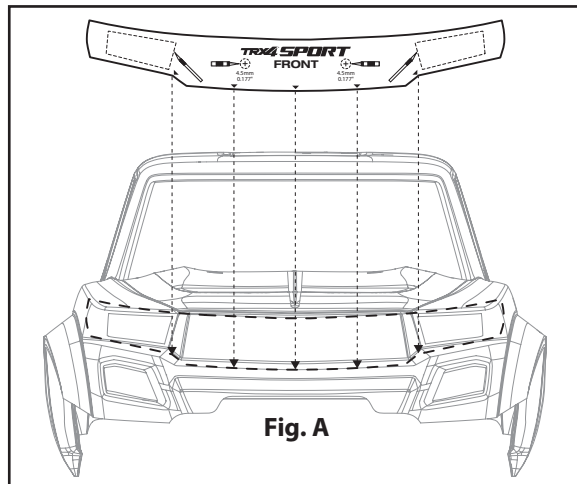


Fig. A

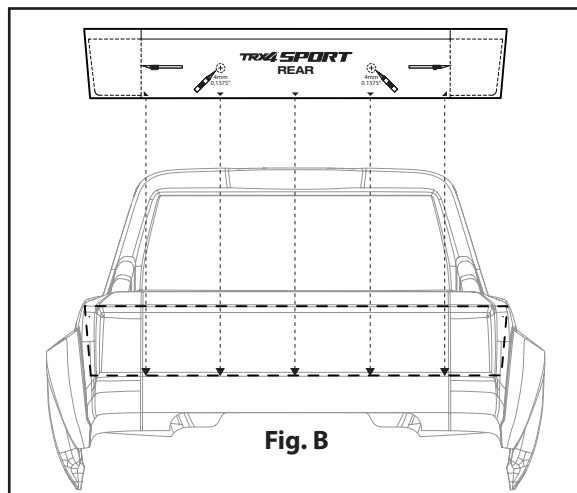
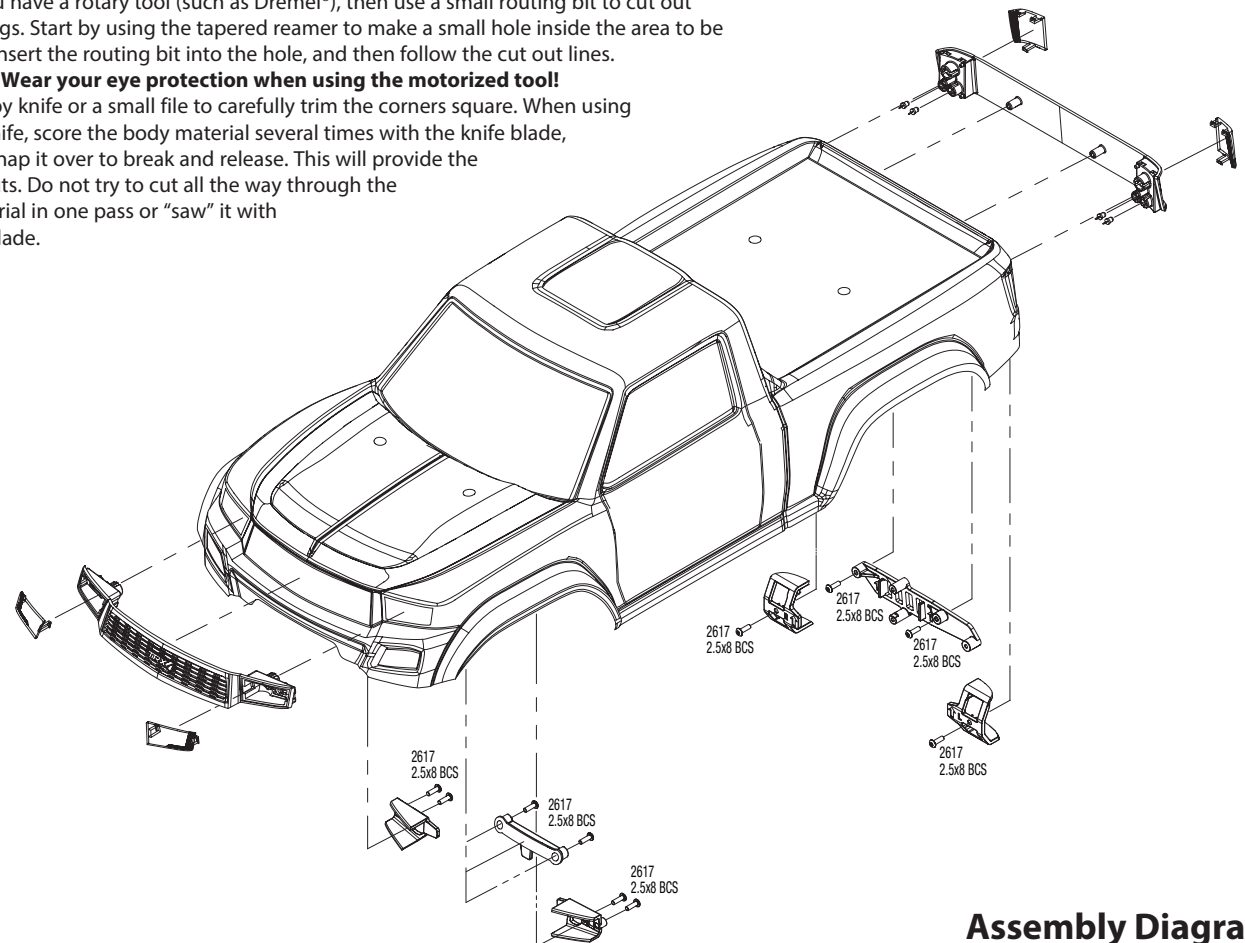


Fig. B

*Tip: If you have a rotary tool (such as Dremel®), then use a small routing bit to cut out the openings. Start by using the tapered reamer to make a small hole inside the area to be removed. Insert the routing bit into the hole, and then follow the cut out lines.

CAUTION: Wear your eye protection when using the motorized tool! Use a hobby knife or a small file to carefully trim the corners square. When using a hobby knife, score the body material several times with the knife blade, and then snap it over to break and release. This will provide the cleanest cuts. Do not try to cut all the way through the body material in one pass or "saw" it with the knife blade.



Assembly Diagram